



# Series 112, 113, & 114 Deci-Center™ Jumpers

## FEATURES:

- Aries offers a wide array of DIP jumper configurations and wiring possibilities for all your programming needs.
- Reliable, electronically tested solder connections.
- DIP-end cable is potted to provide strain relief.
- Protective covers are also provided on header.
- Pitch bars help maintain .100 [2.54] conductor spacing.
- 10-color cable allows for easy identification and tracing.
- Consult factory for jumper lengths under 3.000 [76.20].

## SPECIFICATIONS:

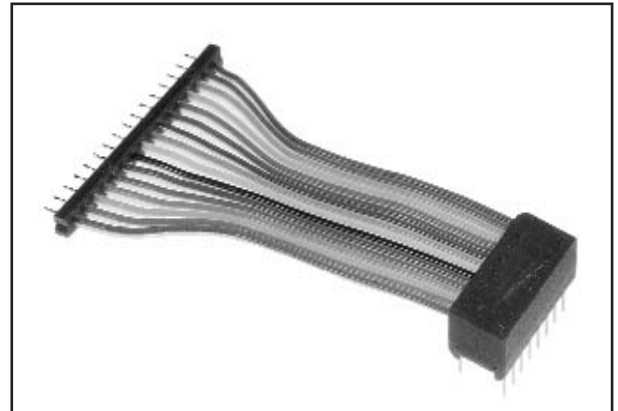
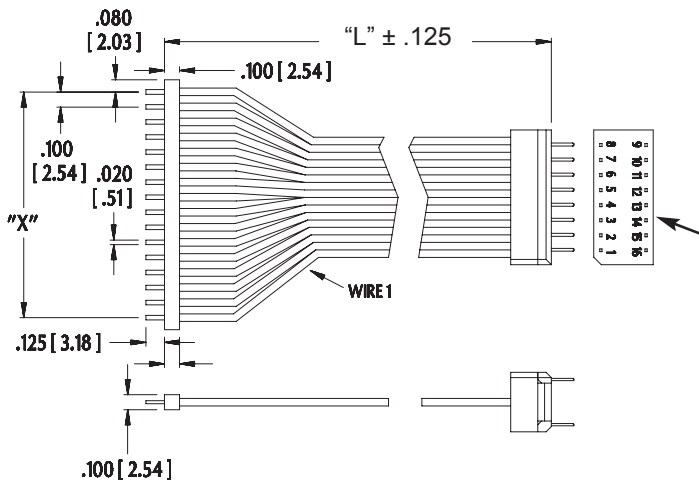
- Header body and pitch bar are black UL 94 V-0 Glass-filled 4/6 Nylon.
- Header pins are Brass, 1/2 hard.
- Pin plating is 10μ [25μm] min. Gold per MIL-G-45204 over 50μ [1.27μm] min. Nickel per SAE-AMS-QQ-N-290.
- Cable insulation is UL Style 2697 Polyvinyl Chloride (PVC).
- Cable laminate is clear PVC, self-extinguishing.\*\*
- .050 [1.27] pitch conductors are 28 AWG, 7/36 strand, Tinned Copper per ASTM B 33 (.039 [.99] pitch conductors are 26 AWG, 7/34 strand).
- Cable current rating=1 Amp @ 10°C [50°F] above ambient.
- Cable voltage rating=300 Volts.
- Cable temperature rating=176°F [80°C].
- Cable capacitance=13.0 pf/ft. [42.7pf/meter] nominal @1 MHz.\*\*
- Crosstalk: 10' sample, 5 ns rise time with 2 lines driven. Near end=4.7%; Far end=4.3% nominal.\*\*
- Propagation delay=1.5 ns/ft. [4.9 ns/meter] nominal.\*\*
- Insulation resistance=10<sup>10</sup> Ohms (10 ft. [3 meters] min.).

\*\*Note: Applies to .050 [1.27] pitch cable only.

## MOUNTING CONSIDERATIONS:

- Suggested PCB hole size=.033 ± .002 [.86 ± .05].

"X"=(NO. OF CONDUCTORS - 1) X .100 [2.54]



Note: Aries specializes in custom design and production. In addition to the standard products shown on this page, special materials, platings, sizes, and configurations can be furnished, depending on quantities. Aries reserves the right to change product specifications without notice.

## ORDERING INFORMATION

XX-XXX-XXX

No. of conductors  
(see table)

Cable length in inches:  
EX: 3" = -003- / 3.5" = -003.5-  
min. length =3" [76.20mm]

Jumper series:  
112, 113, 114  
112X, 113X, 114X  
(see Data Sheet  
No. 11009 for  
wiring table)

ALL DIMENSIONS: INCHES [MILLIMETERS]

All tolerances ± .005 [.13]  
unless otherwise specified

Centers "C"	Dim. "D"	Available Sizes
.300 [7.62]	.395 [10.03]	4 thru 20
.400 [10.16]	.495 [12.57]	22
.600 [15.24]	.695 [17.65]	24, 28, 40

See Data Sheet No.  
11009 for other  
configurations and  
additional information.

Numbers  
shown pin  
side for  
reference  
only.

## SERIES 112



<http://www.arieselec.com> • [info@arieselec.com](mailto:info@arieselec.com)

Bristol, PA USA  
TEL: (215) 781-9956  
FAX: (215) 781-9845



11008  
REV. F