



Series 518 Open Frame Capacitor Collet Socket with Solder Pin Tail

FEATURES

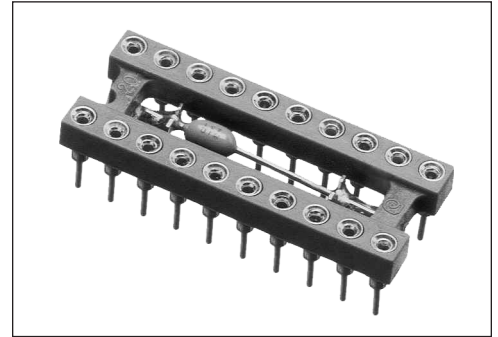
- Capacitor bypasses unwanted electromagnetic 'noise'
- Available with either 0.1 μ F or 0.33 μ F capacitor, 50V, Z5U temperature coefficient
- Open frame allows for more efficient utilization of board space and better cooling
- Compatible with automatic insertion equipment
- Side-to-side and end-to-end stackable

GENERAL SPECIFICATIONS

- BODY MATERIAL: blue UL 94V-0 glass-filled Polyester Thermoplastic (PBT)
- PIN BODY: Brass 360 1/2-hard per UNS C36000 ASTM B16-85
- PIN BODY PLATING: either 200 μ [5.08 μ] min. 93/7 Sn/Pb per MIL-P-81728 or 10 μ [0.25 μ] min. Au per MIL-G-45204 over 100 μ [2.54 μ] min. Ni per QQ-N-290
- 4-FINGERED COLLET CONTACT: BeCu per UNS C17200 ASTM-B194-92
- CONTACT PLATING: either 10 μ [0.25 μ] min. Au per MIL-G-45204 or 150 μ [3.81 μ] min. 93/7 Sn/Pb per MIL-P-81728 over 50 μ [1.27 μ] min. Ni per QQ-N-290. Heavy 30 μ [0.76 μ] Au plating also available
- CONTACT CURRENT RATING: 3 amps
- OPERATING TEMPERATURE: 221°F [105°C] for Sn plating, and 257°F [125°C] for Au plating
- INSERTION FORCE: 180g/pin
- WITHDRAWAL FORCE: 90g/pin
- NORMAL FORCE: 140g/pin; based on a 0.018 [0.46] dia. test lead
- ACCEPTS LEADS: 0.015-0.025 [0.38-0.64] in dia.
- ACCEPTS LEAD LENGTHS: from 0.100 [2.54] min.

MOUNTING CONSIDERATIONS

- SUGGESTED PCB HOLE SIZE: 0.030 \pm 0.002 [0.76 \pm 0.05] dia.



CUSTOMIZATION: In addition to the standard products shown on this page, Aries specializes in custom design and production. Special materials, platings, sizes, and configurations can be furnished, depending on the quantity. **NOTE:** Aries reserves the right to change product general specifications without notice.

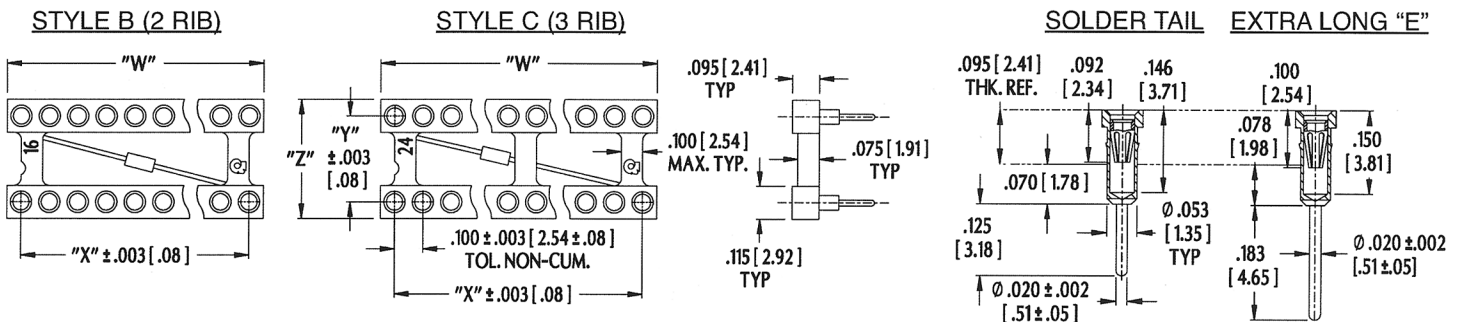
ORDERING INFORMATION

XX-X 518-1 X X X

- Pin Count (see Table) ————
- Row-to-Row Spacing ————
- 3 "Y" = 0.300 [7.62]
- 4 "Y" = 0.400 [10.16]
- 6 "Y" = 0.600 [15.24]
- Series ————
- Solder Pin Tail ————
- Options
 - H = Heavy Au on Collet
 - T = Sn on Collet
 - E = Extra Long Solder Tail
- Capacitor
 - 1 = 0.1 μ F
 - 2 = 0.33 μ F
- Plating
 - 0 = Au Collet, Sn Shell
 - 1 = Au Collet, Au Shell

Frame Style	No. of Ribs	Centers "Y"	Dim. "Z"	Available Sizes
B	2	0.300 [7.62]	0.400 [10.16]	14, 16, 18, 20
		0.400 [10.16]	0.500 [12.70]	20, 22, 24
C	3	0.300 [7.62]	0.400 [10.16]	24, 28
		0.600 [15.24]	0.700 [17.78]	24, 28, 32, 40

ALL DIMENSIONS: INCHES [MILLIMETERS]
 ALL TOLERANCES: \pm 0.005 [0.13] UNLESS OTHERWISE SPECIFIED
 "W" = (No. of Pins per Row) x 0.100 [2.54]
 "X" = (No. of Pins per Row - 1) x 0.100 [2.54]
 SEE **DATA SHEET 12027** FOR OPEN-FRAME CAPACITOR COLLET SOCKET WITH WIRE WRAP PINS
 CONSULT FACTORY FOR OTHER SIZES AND CONFIGURATIONS



Bristol, PA 19007-6810 USA
 TEL (215) 781-9956 • FAX (215) 781-9845
 WWW.ARIESELEC.COM • INFO@ARIESELEC.COM

