



# 1110267-N

## 68 PIN PLCC PACKAGE MOTOROLA MC68HC000 TO 64 PIN DIP FOOTPRINT

### FEATURES:

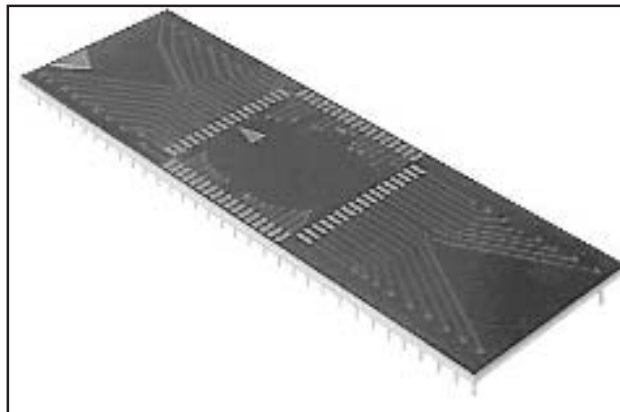
- Allows easy replacement of a difficult to find part.

### SPECIFICATIONS:

- PCB is FR-4, .062 [1.56] or .094 [2.39] thick.
- Male pin is Brass Alloy 360 1/2 hard per UNS C36000 ASTM-B16-00.
- Male pin plating is 200 $\mu$  [5.08 $\mu$ m] min. Tin per ASTM B 545 Type 1 or Tin/Lead 93/7 per ASTM B 545 over 100 $\mu$  [2.54 $\mu$ m] Nickel per SAE-AMS-QQ-N-290.
- Operating temperature=221°F [105°C].

### MOUNTING CONSIDERATIONS:

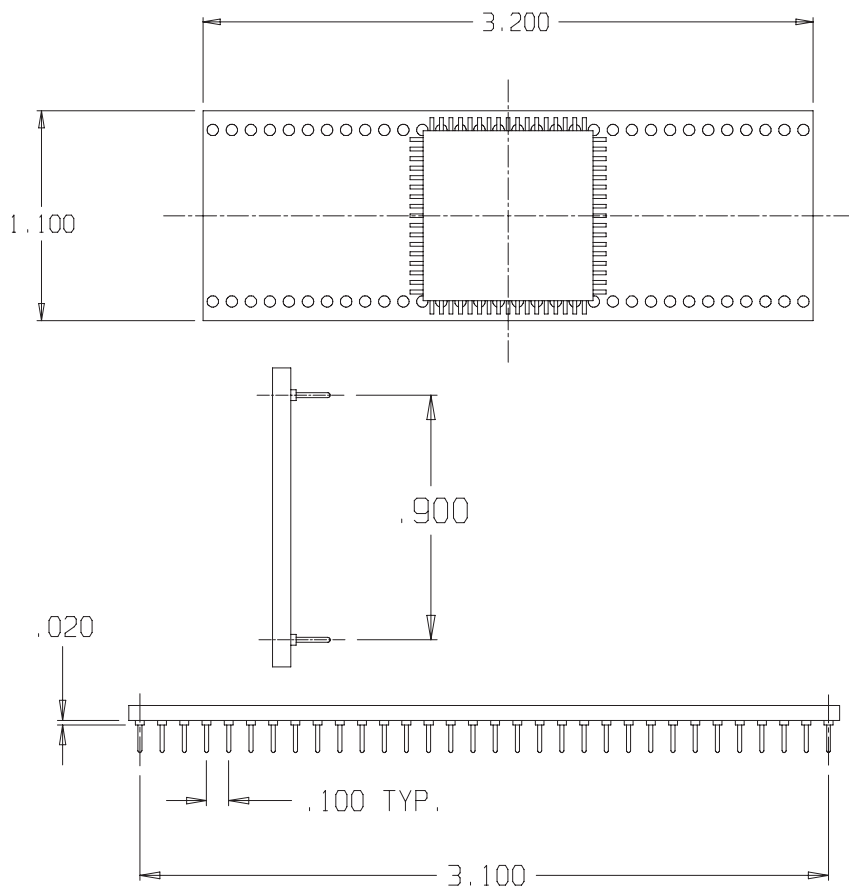
- Standard through holes.



**ALL DIMENSIONS: INCHES [MILLIMETERS]**

All tolerances  $\pm$  .005  
[.13] unless otherwise  
specified

*Note: Aries specializes in custom design and production. In addition to the standard products shown on this page, special materials, platings, sizes, and configurations can be furnished, depending on quantities. Aries reserves the right to change product specifications without notice.*



### NETLIST

PCB	IC	PCB	IC
1	1	33	36
2	2	34	37
3	3	35	38
4	4	36	39
5	5	37	40
6	6	38	41
7	7	39	42
8	8	40	43
9	9	41	44
10	10	42	45
11	11	43	46
12	12	44	47
13	13	45	48
14	14	46	49
15	15	47	50
16	16&17	48	51
17	19	49	52
18	20	50	53
19	21	51	54
20	22	52	55
21	23	53	56&57
22	24	54	58
23	25	55	59
24	26	56	60
25	27	57	61
26	28	58	62
27	29	59	63
28	30	60	64
29	32	61	65
30	33	62	66
31	34	63	67
32	35	64	68



<http://www.arieselec.com> • [info@arieselec.com](mailto:info@arieselec.com)

Bristol, PA USA  
TEL: (215) 781-9956  
FAX: (215) 781-9845



18054  
REV. E