



# 36-651000-10

## 36 PIN SSOP TO .6DIP ADAPTER

### SPECIFICATIONS:

- PCB is FR-4, .062 [1.56 or .094 [2.39] thick.
- Pads are bare Copper protected with Entek® by Enthone or Omikron® white tin to eliminate co-planarity concerns and solder bridges.
- Male pin is Brass Alloy 360 1/2 hard per UNS C36000 ASTM-B16-00.
- Operating temperature=221°F [105°C].
- Male pin plating is 200μ [5.08μm] min. Tin per ASTM B 545 Type 1 or Tin/Lead 93/7 per ASTM B 545 over 100μ [2.54μm] Nickel per SAE-AMS-QQ-N-290.

### MOUNTING CONSIDERATIONS:

- Standard through holes.



*Note: Aries specializes in custom design and production. In addition to the standard products shown on this page, special materials, platings, sizes, and configurations can be furnished, depending on quantities. Aries reserves the right to change product specifications without notice.*

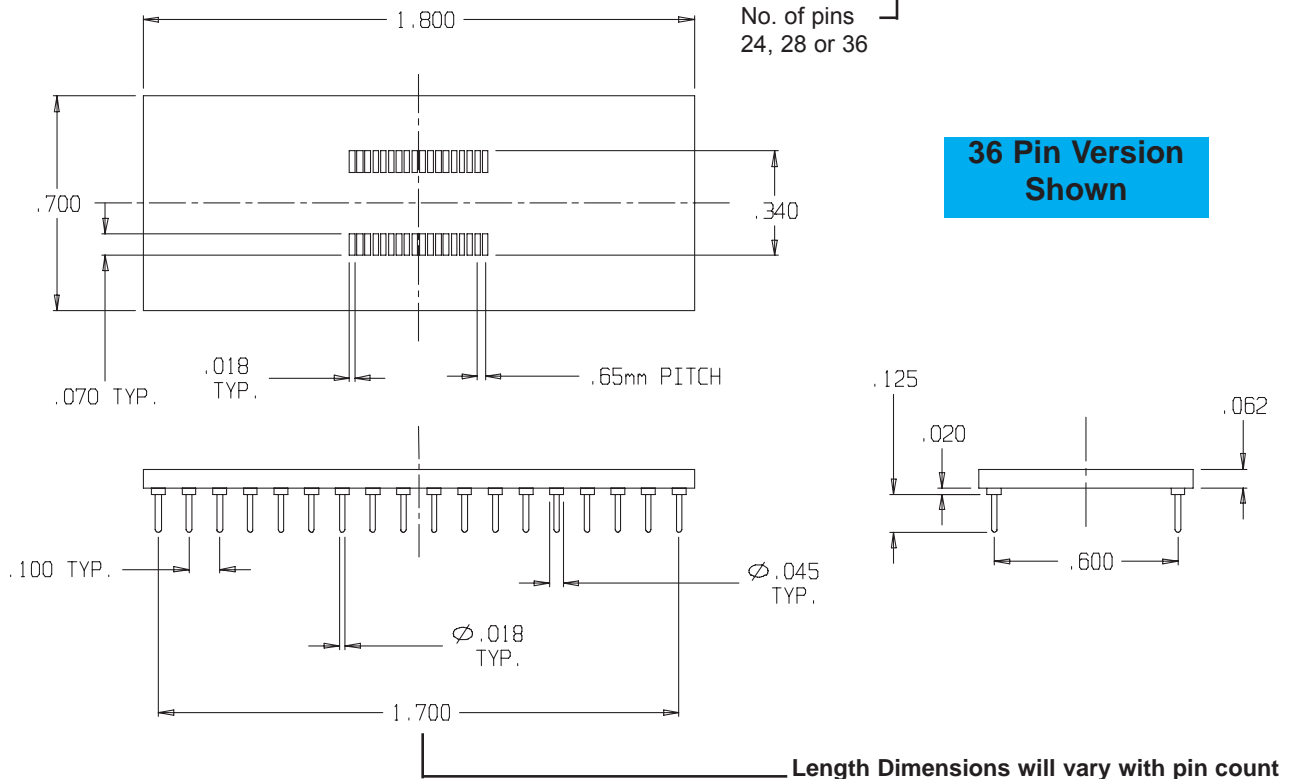
**ALL DIMENSIONS: INCHES [MILLIMETERS]**

### PART NUMBER ORDERING INFORMATION

**XX-651000-10**

No. of pins  
24, 28 or 36

**36 Pin Version  
Shown**



**ARIES**  
ELECTRONICS, INC.  
<http://www.arieselec.com> • [info@arieselec.com](mailto:info@arieselec.com)

Bristol, PA USA  
TEL: (215) 781-9956  
FAX: (215) 781-9845



18065  
REV. E