



# 111841-X

## .5MM 8 AND 10 PIN MSOP TO .3 DIP ADAPTERS

### FEATURES:

- A cost effective means of upgrading to MSOP .5MM package SOIC... without changing your PCB layout.
- Available on .300 [7.62] centers.

### SPECIFICATIONS:

- Board Material is .062 thick FR-4 with 1 oz. Copper traces, both sides.
- Pins are Brass Alloy 360 1/2 hard per UNS C36000 ASTM-B16-00.
- Pin plating is 200 $\mu$  [5.08 $\mu$ m] min. Tin per ASTM B 545 Type 1 or Tin/Lead 93/7 per ASTM B 545 over 100 $\mu$  [2.54 $\mu$ m] Nickel per SAE-AMS-QQ-N-290.
- Operating temperature = 221°F [105°C]

### MOUNTING CONSIDERATIONS:

- Suggested PCB hole size = .028  $\pm$  .003 [.71  $\pm$  .08].dia.



Note: Aries specializes in custom design and production. In addition to the standard products shown on this page, special materials, platings, sizes, and configurations can be furnished, depending on quantities. Aries reserves the right to change product specifications without notice.

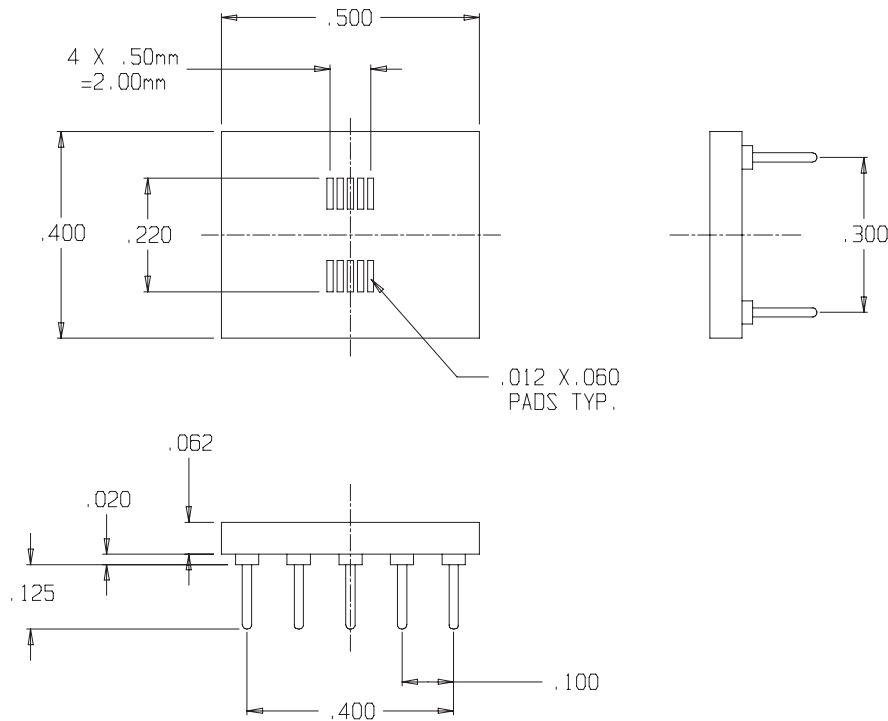
### ALL DIMENSIONS: INCHES [MILLIMETERS]

All tolerances  $\pm$ .005 [.13]  
unless otherwise specified

### ORDERING INFORMATION

111841 = 10 Pin

111841-8 = 8 Pin



 **ARIES**<sup>®</sup>  
ELECTRONICS, INC.  
<http://www.arieselec.com> • [info@arieselec.com](mailto:info@arieselec.com)

Bristol, PA USA  
TEL: (215) 781-9956  
FAX: (215) 781-9845



18067  
REV. D