



ADAPTER FOR MOTOROLA MC145158-2 SOIC DW-to-20-Pin PLCC

FEATURES:

- A cost effective means of upgrading to SOJ or SOIC ... without changing your PCB layout.

SPECIFICATIONS:

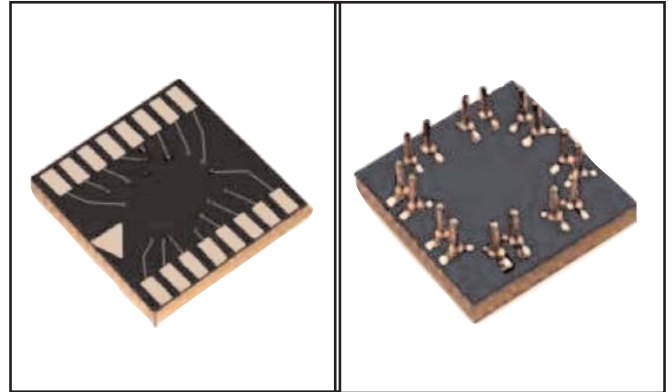
- Board Material is .062 thick FR-4 with 1 oz. Copper traces, both sides.
- Pins are Brass Alloy 360 1/2 hard per UNS C36000 ASTM-B-16-00.
- Pin plating is 200 μ [5.08 μ m] min. Tin per ASTM B 545 Type 1 or Tin/Lead 93/7 per ASTM B 545 over 100 μ [2.54 μ m] Nickel per SAE-AMS-QQ-N-290.
- Operating temperature = 221°F [105°C]

MOUNTING CONSIDERATIONS:

- Standard Surface Mount

ALL DIMENSIONS: INCHES [MILLIMETERS]

All tolerances $\pm .005$ [.13]
unless otherwise specified



Note: Aries specializes in custom design and production. In addition to the standard products shown on this page, special materials, platings, sizes, and configurations can be furnished, depending on quantities. Aries reserves the right to change product specifications without notice.

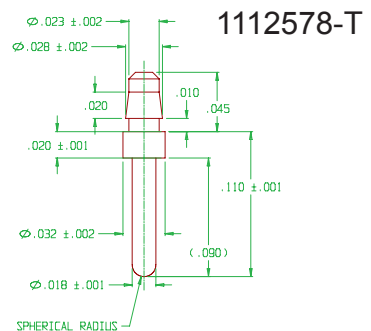
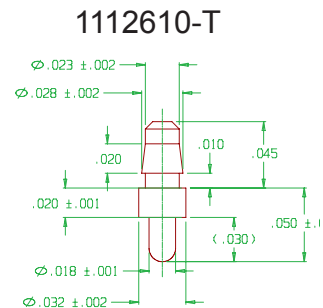
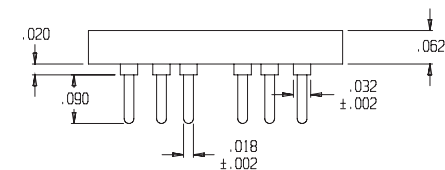
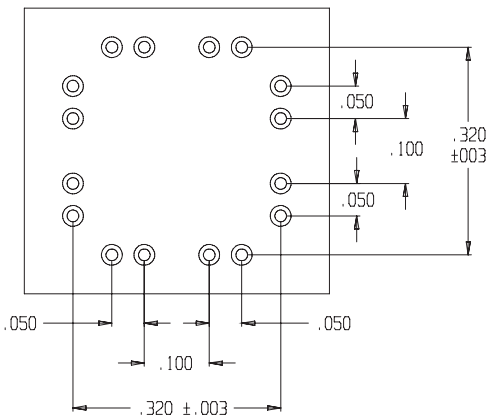
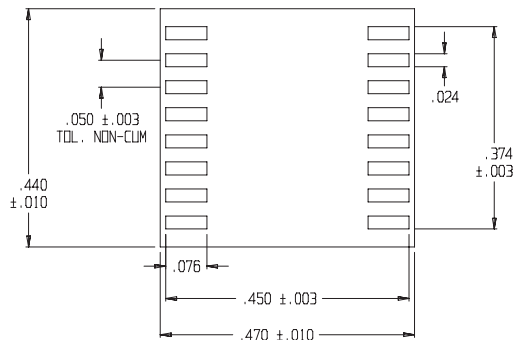
ORDERING INFORMATION

20-301550-X0

TIN

1= Pin 1112610-T
2= Pin 1112578-T

SOIC	PLCC PAD
1	2
2	3
3	4
4	5
5	7
6	8
7	9
8	10
9	12
10	13
11	14
12	15
13	17
14	18
15	19
16	20



ARIES
ELECTRONICS, INC.
<http://www.arieselec.com> • info@arieselec.com

Bristol, PA USA
TEL: (215) 781-9956
FAX: (215) 781-9845



18079
REV. E