



Series 181 thru 183 90° Pin-Staked Flex Jumper

FEATURES

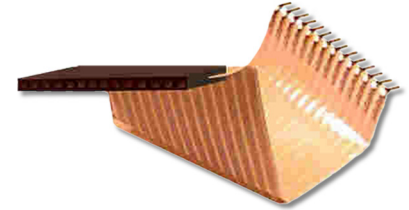
- Combination of Thin, Flexible, Solid Cu Conductors embedded between layers of Tough, Flexible, Flame-retardant Insulation

GENERAL SPECIFICATIONS

- **STANDARD CABLE INSULATION:** White UL VW-1, Style 2643 Flame-retardant Polyester (Mylar) adhesive
- **CABLE CONDUCTORS:** Solid Cu with a cross-sectional area equivalent to that of 26-gauge AWG
- **FEMALE HOUSING:** Black UL 94V-0 glass-filled Stanyl 4/6 Nylon
- **CRIMP-ON PINS:** Spring-tempered Cu 510
- **PIN PLATING:** 100µ [2.54µ] min. matte Sn per ASTM B545-97(2004)e1 over 50µ min. Ni per ASTM AMS-QQ-N-290 –OR– 100µ [2.54µ] min. 93/7 Sn/Pb per SAE AMS-P-81728 over 50µ [1.27µ] min. Ni per SAE AMS-QQ-N-290B
- **CABLE CURRENT RATING:** 3 amps
- **CABLE VOLTAGE RATING:** 300V
- **CONDUCTOR/CONTACT RESISTANCE (avg.):** 20 mΩ initial (max. 20 mΩ increase) based on a 2" cable at 20°C
- **STD OPERATING TEMPERATURE:** -67 to 221°F [-55 to 105°C]
- **ACCEPTS LEADS (female housing):** 0.024-0.030 [0.61-0.76] square, 0.150 [3.81] long min.

MOUNTING CONSIDERATIONS

- **SUGGESTED PCB HOLE SIZE:** 0.033 ±0.002 [0.86 ±0.05] dia.



ORDERING INFORMATION

XX-XXXX-18X X XX

Plating Option

TL = Sn/Pb **Special Order Only**

Bend Option

A = Both ends bent 90°, same direction
 B = One male end bent 90°
 C = Both ends bent 90°, opposite direction
 D = One female end bent 90°

Series

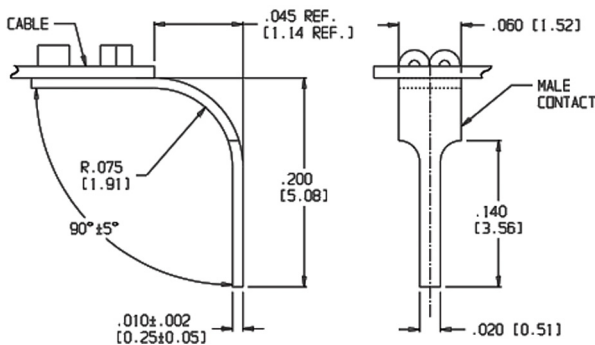
181 = Male, both ends
 182 = Male/Female (Sn)
 183 = Female, both ends (Sn)

Cable Length "L" (inches)

2" = 002 (min)
 2.5" = 002.5
 2.25" = 002.25
 2.125" = 002.125

No. of Conductors (4 thru 40)

BENT MALE CONTACT DETAIL



ALL DIMENSIONS: INCHES [MILLIMETERS]

ALL TOLERANCES: ± 0.005 [0.13] UNLESS OTHERWISE SPECIFIED

CONSULT FACTORY FOR OTHER SIZES AND CONFIGURATIONS

CUSTOMIZATION: ARIES SPECIALIZES IN CUSTOM DESIGN AND PRODUCTION. SPECIAL MATERIALS, PLATINGS, SIZES, AND CONFIGURATIONS CAN BE FURNISHED, DEPENDING ON QUANTITY.

ARIES RESERVES THE RIGHT TO CHANGE PRODUCT GENERAL SPECIFICATIONS WITHOUT NOTICE

PRINTOUTS OF THIS DOCUMENT MAY BE OUT-OF-DATE AND SHOULD BE CONSIDERED UNCONTROLLED



ARIES
ELECTRONICS, INC.

2609 Bartram Road • Bristol, PA 19007-6810 USA

TEL 215-781-9956 • FAX 215-781-9845

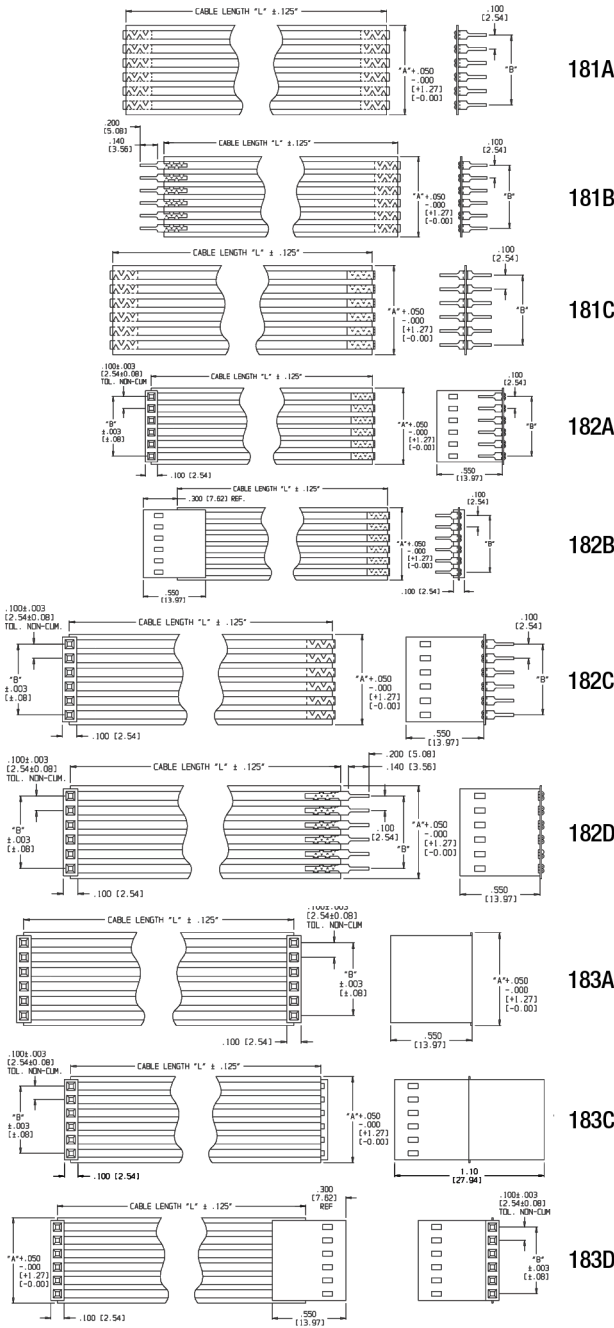
WWW.ARIESELEC.COM • INFO@ARIESELEC.COM



11019
Rev. 11.7
1 of 2



Series 181 thru 183 90° Pin-Staked Flex Jumper



"A"= NO. OF CONDUCTORS x 0.100 [2.54]
 "B"= (NO. OF CONDUCTORS -1) x 0.100 [2.54]

ALL DIMENSIONS: INCHES [MILLIMETERS]
 ALL TOLERANCES: ±0.005 [0.13] UNLESS OTHERWISE SPECIFIED
 CONSULT FACTORY FOR OTHER SIZES AND CONFIGURATIONS

CUSTOMIZATION: ARIES SPECIALIZES IN CUSTOM DESIGN AND PRODUCTION. SPECIAL MATERIALS, PLATINGS, SIZES, AND CONFIGURATIONS CAN BE FURNISHED, DEPENDING ON QUANTITY.
 ARIES RESERVES THE RIGHT TO CHANGE PRODUCT GENERAL SPECIFICATIONS WITHOUT NOTICE
 PRINTOUTS OF THIS DOCUMENT MAY BE OUT-OF-DATE AND SHOULD BE CONSIDERED UNCONTROLLED



2609 Bartram Road • Bristol, PA 19007-6810 USA
 TEL 215-781-9956 • FAX 215-781-9845
 WWW.ARIESELEC.COM • INFO@ARIESELEC.COM

